



LA1500R

USER'S GUIDE

www.planar.com

The information contained in this document is subject to change without notice. This document contains proprietary information that is protected by copyright. All rights are reserved. No part of this document may be reproduced, translated to another language or stored in a retrieval system, or transmitted by any means, electronic, mechanical, photocopying, recording, or otherwise, without prior written permission.

Windows is a registered trademark of Microsoft, Inc.

Other brands or product names are trademarks of their respective holders.

European Union 2002/95/EC Directive on the Restriction of Hazardous Substances (RoHS and the recast Directive 2011/65/EU (referred to as RoHS 2)).

In February 2003, the European Union issued Directive 2002/95/EC on the Restriction of Hazardous Substances, commonly known as RoHS, in certain electrical and electronic equipment. It restricts the use of six hazardous substances, including lead (Pb). In July 2011 Directive 2011/65/EU entered into force, and provided clarification regarding definitions, assessment methodologies, and exemptions.

The Directives state that all new products within its scope, placed on the European market after July 1, 2006 must be compliant with its requirements.

Planar Systems Inc. is fully in support of and compliant with EU Directive 2002/95/EC and Directive 2011/65/EU for applicable products within its scope.

Important Recycle Instructions:



Lamp(s) inside this product contain mercury. This product may contain other electronic waste that can be hazardous if not disposed of properly. Recycle or dispose in accordance with local, state, or federal Laws. For more information, contact the Electronic Industries Alliance at WWW.EIAE.ORG. For lamp specific disposal information check WWW.LAMPRECYCLE.ORG. For more information on how to recycle your product, please visit WWW.PLANAR.COM/GREEN.

Revision Control	
DATE:	DESCRIPTION:
March 2004	Document number 020-0319-00A
March 2005	Document number 020-0319-00B
June 2006	Document number 020-0319-01A
February 2008	Document number 020-0319-02A
May 2010	Document number 020-0319-02B
July 2011	Document number 020-0319-03A
October 2013	Document number 020-0319-04A

Contents

Usage Notice

Precautions	4
-------------------	---

Introduction

About the Product	5
Package Overview	6

Installation

Product Overview	7
------------------------	---

User Controls

Front Panel Controls	11
On-Screen Display Menus	13

Appendix

Troubleshooting	14
Warning Signal	15
Product Dimensions	16
Video Modes	18
Support and Service	19

Usage Notice



WARNING – To prevent the risk of fire or shock hazards, do not expose this product to rain or moisture.



WARNING – Please do not open or disassemble the product as this may cause electric shock.

Precautions

Follow all warnings, precautions and maintenance as recommended in this user's guide to maximize the life of your unit.

Do:

- Turn off the product before cleaning.
- LCD front surface may be cleaned using a soft clean cloth moistened with mild window glass commercial cleaners or 50/50 mixture of water and isopropyl alcohol.
- Use only the high quality and safety approved AC/DC power adapter that comes with your monitor.
- Disconnect the power plug from AC outlet if the product is not used for an extended period of time.

Don't:

- Do not touch the LCD display screen surface with sharp or hard objects.
- Do not use abrasive cleaners, waxes or solvents for cleaning.
- Do not operate the product under the following conditions:
 - Extremely hot, cold or humid environment.
 - Areas susceptible to excessive dust and dirt.
 - Near any appliance generating a strong magnetic field.
 - In direct sunlight.

Introduction

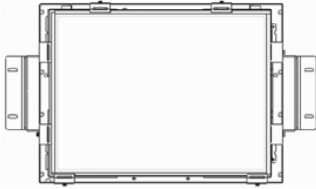
About Planar's LA1500R

The LA15 products all have a 15" flat panel screen with an active matrix, thin-film transistor (TFT) liquid crystal display (LCD).

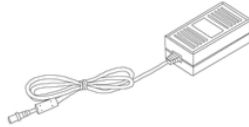
Features include:

- Direct analog graphics signal input
- Active matrix TFT LCD technology
- 1024 x 768 XGA resolution
- 15" viewable display area
- 31.5 ~ 60.2 kHz horizontal scan
- 56 ~ 75 Hz refresh rate
- 0.297mm x 0.297mm pixel pitch
- 250 cd/m²(typ.) brightness
- 600:1(typ.) contrast ratio
- L/R=80°/80°,U/D=+80°/-80° viewing angle, CR=10
- Tr+Tf = 8ms (typ.) response time
- 2 Cold Cathode Fluorescent Lamps (CCFL) with 50,000 hrs life
- Auto-adjustment function
- Multilingual OSD user controls
- VESA DPMS power saving
- VESA rear mounting 75mm x 75mm standard
- Operating temperature = 5°C to 35°C
- Storage temperature = -20°C to 60°C

Package Overview



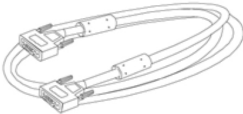
LCD Display



Power Adapter



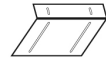
Power Cord



VGA Signal Cable



Landing Strip

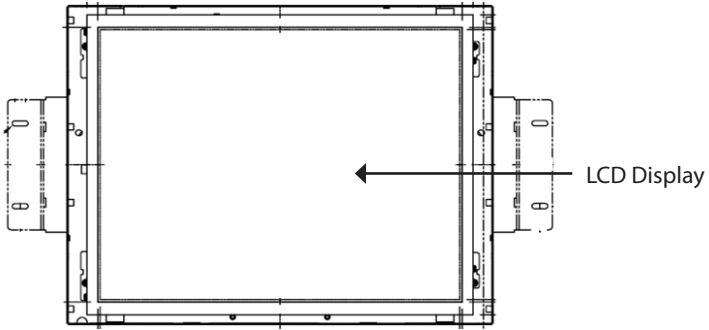


"L" Bracket, 2 pcs

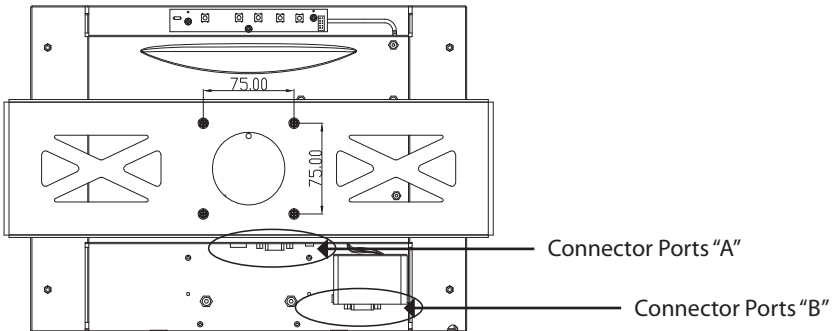
Installation

Product Overview

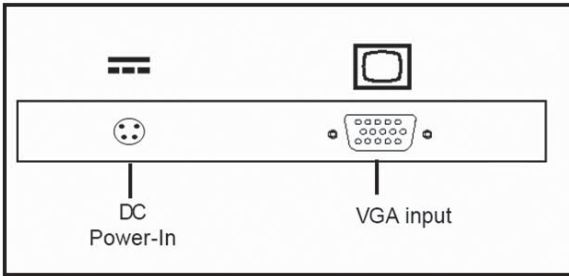
- Front View



- Rear View



• Connector Ports "A"



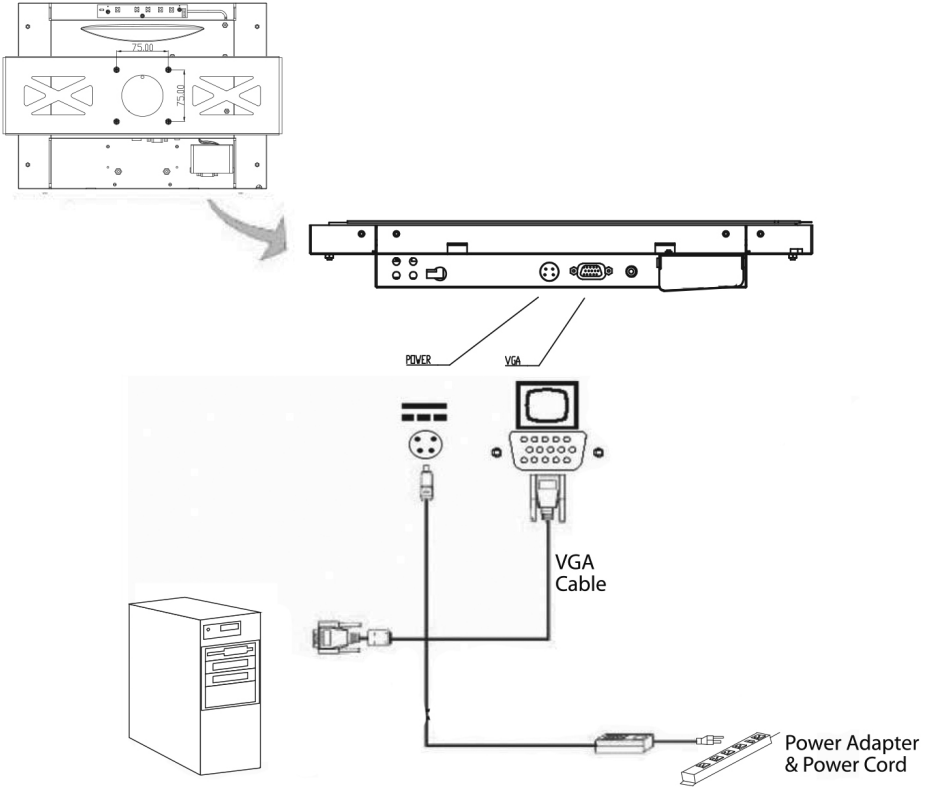
Connecting the display (Figure 1.1)

To set up this display, please refer to the following figure and procedures.

1. Be sure all equipment is off.
2. Connect the DC power cord to the power connector. Plug one end of the AC power cord into the power adapter, and the other end into an electrical outlet(1).
3. Connect the VGA signal cable from display VGA input connector to the 15-pin VGA connector of your host computer and tighten the screws(2).
4. Turn on your computer, display and video source.

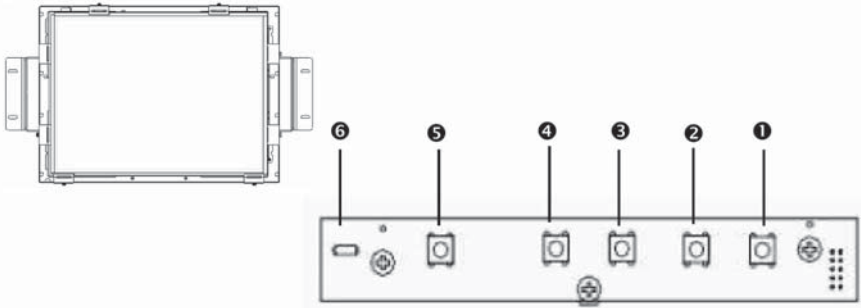
Notice: To ensure the LCD display works well with your computer, configure the display mode of your graphic card to less than or equal to 1024 x 768 resolution and make sure timing of the display mode is compatible with the LCD panel. "Video Modes" of this LCD panel are listed in the appendices for your reference.







Figure 1.1



User Controls

Front Panel Controls



No./ Icon	Control	Function
① 	Menu button	Displays the OSD menu.
② 	Select / Auto	Select- To select the adjustment items from OSD menu. Auto- To activate the “Auto Adjustment” function to obtain an optimum image.
③ 	Brightness Minus / Minus	1. Decreases the brightness of the display image. 2. Decreases value of the adjustment items.
④ 	Brightness Plus / Plus	1. Increases the brightness of the display image. 2. Increases value of the adjustment items.
⑤ 	Power Switch	Switches on/off the power of the LCD display.
⑥ 	Power LED	1. Green indicates the display is turned on. 2. Amber indicates the display is in power-saving mode.

How to Use the OSD Menu

1. Press the “Menu” button to pop up the on-screen menu and to select between the four main menus.
2. Choose the adjustment items by pressing the “+” and “-” buttons.
4. The OSD menu will automatically close, if you have left it idle for a pre-set amount of time.

On-Screen Display Menus

Main OSD Menu:

Main Menu	Sub Menu	Function Description	Factory Default Setting
Sharpness	1-4	Adjust the sharpness of the image.	3
Reset	No/Yes	Returns the display parameters of the current mode to its factory default settings.	No
Color Setting	SRGB / 9300K 7200K / 6500K 5000K / User defined	Adjusts the color temperature.	6500k
Color Adjustment-Red	0-100	It allows you to adjust the red color of the display.	100
Color Adjustment-Green	0-100	It allows you to adjust the green color of the display.	100
Color Adjustment-Blue	0-100	It allows you to adjust the blue color of the display.	100

Appendix

Troubleshooting

If you are experiencing trouble with the LCD display, refer to the following. If the problem persists, please contact your local dealer or visit Planar Support at www.planar.com/support. See support contact information on rear cover.

Problem: No image appears on screen.

- ◆ Check that all the I/O and power connectors are installed correctly and well connected as described in the "Installation" section.
- ◆ Make sure the pins of the connectors are not crooked or broken.
- ◆ Reconfigure the resolution of your computer to make it less than or equal to 1024 x 768.

Problem: Partial image or incorrectly displayed image.

- ◆ Check to see if the resolution of your computer is higher than that of the LCD display.
- ◆ Reconfigure the resolution of your computer to make it less than or equal to 1024 x 768.

Problem: Image has flickering vertical line bars.

- ◆ Use "Clock" to make an adjustment.
- ◆ Check and reconfigure the display mode of the vertical refresh rate of your graphic card to make it compatible with the LCD display.

Problem: Image is unstable and flickering

- ◆ Use "Phase" to make an adjustment.

Problem: Image is scrolling

- ◆ Check and make sure the VGA signal cable (or adapter) is well connected.
- ◆ Check and reconfigure the display mode of the vertical refresh rate of your graphic card to make it compatible with the LCD display.

Problem: Ghosting image (characters and graphics)

- ◆ Use "Clock" to make an adjustment. If the problem persists, use "Phase" to make an adjustment.

Warning Signal

If you see warning messages on your LCD screen, this means that the LCD display cannot receive a clean signal from the computer graphics card.

There may be three sources for this problem. Please check the cable connections or contact Planar for more information.

◆ **No Signal**

This message means that the LCD display has been powered on but it cannot receive any signal from the computer graphic card. Check all the power switches, power cables, and VGA signal cable.

◆ **Going to Sleep**

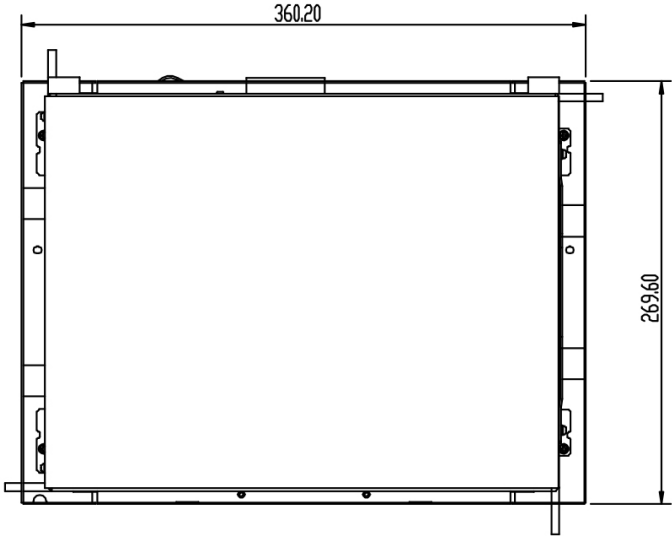
This message means that the LCD display is under the power saving mode. In addition, the LCD display will enter the sleep mode when experiencing a sudden signal disconnecting problem.

◆ **Out of Range**

This message means that the signal of the computer graphic card is not compatible with the LCD display. When the signal is not included in the "Video Modes" list we have listed in the Appendices of this manual, the LCD display will display this message.

Product Dimensions

LA1500R - Front and Side View:

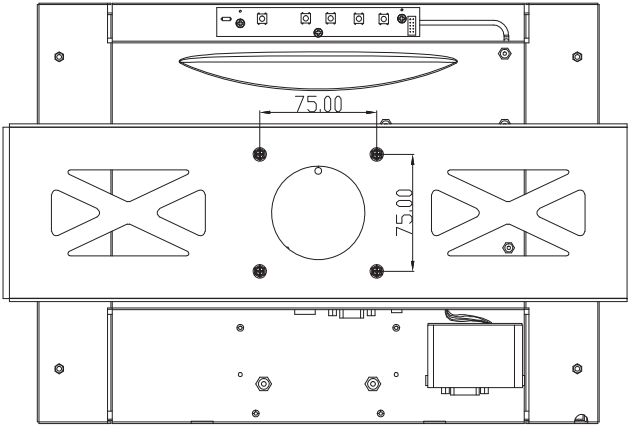


LA1500R Front View



LA1500R Side View

LA1500R - Rear View:



Video Modes

The monitor supports the following industry-standard combinations of screen resolution and refresh rates. Other combinations are possible, but may require adjustments to the image.

For the optimal performance, set your computer to a screen resolution of 1024 x 768 at a 60 Hz refresh rate.

Mode	Resolution	V. Frequency (Hz)	H. Frequency (kHz)
IBM VGA	640 x 350	70	31.5
IBM VGA	640 x 400	70	31.5
IBM VGA	720 x 400	70	31.5
IBM VGA	640 x 480	60	31.5
VESA VGA	640 x 480	72	37.9
VESA VGA	640 x 480	75	37.5
VESA SVGA	800 x 600	56	35.2
VESA SVGA	800 x 600	60	37.9
VESA SVGA	800 x 600	72	48.1
VESA SVGA	800 x 600	75	46.9
VESA XGA	1024 x 768	60	48.4
VESA XGA	1024 x 768	70	56.5
VESA XGA	1024 x 768	75	60.0

Planar Support

Cables and Accessories

To find cables and accessories for your Planar monitor, touch screen or other Planar products visit our online store at www.PlanarOnline.com.

Technical Support

Visit Planar at <http://www.planar.com/support> for operations manuals, touchscreen drivers, warranty information and access to Planar's Technical Library for online trouble shooting. To speak with Planar Customer Support please have your model and serial number available and dial:

Planar Support

Tel: 1-866-PLANAR1 (866-752-6271) or +1 503-748-5799 outside the US.
Hours: 24 hours a day, 7 days a week. Toll or long distance charges may apply.

Planar Support

Tel: 1-866-PLANAR1 (866-752-6271) or +1 503-748-5799 outside the US.

Hours: 24 hours a day, 7 days a week. Toll or long distance charges may apply.

© 2013 Planar Systems, Inc. 10/13 Planar is a registered trademark of Planar Systems, Inc.

Other brands and names are the property of their respective owners.

Technical information in this document is subject to change without notice.

Document No. 020-0319-04 Rev. A