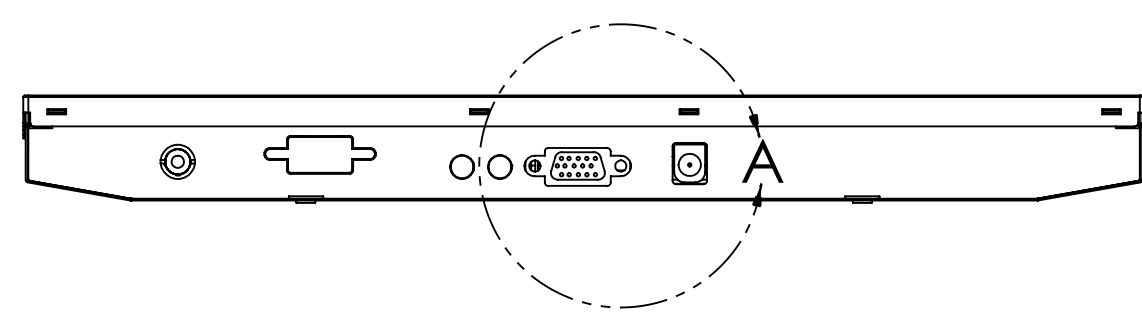
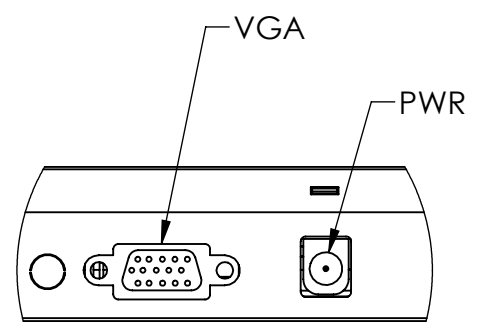
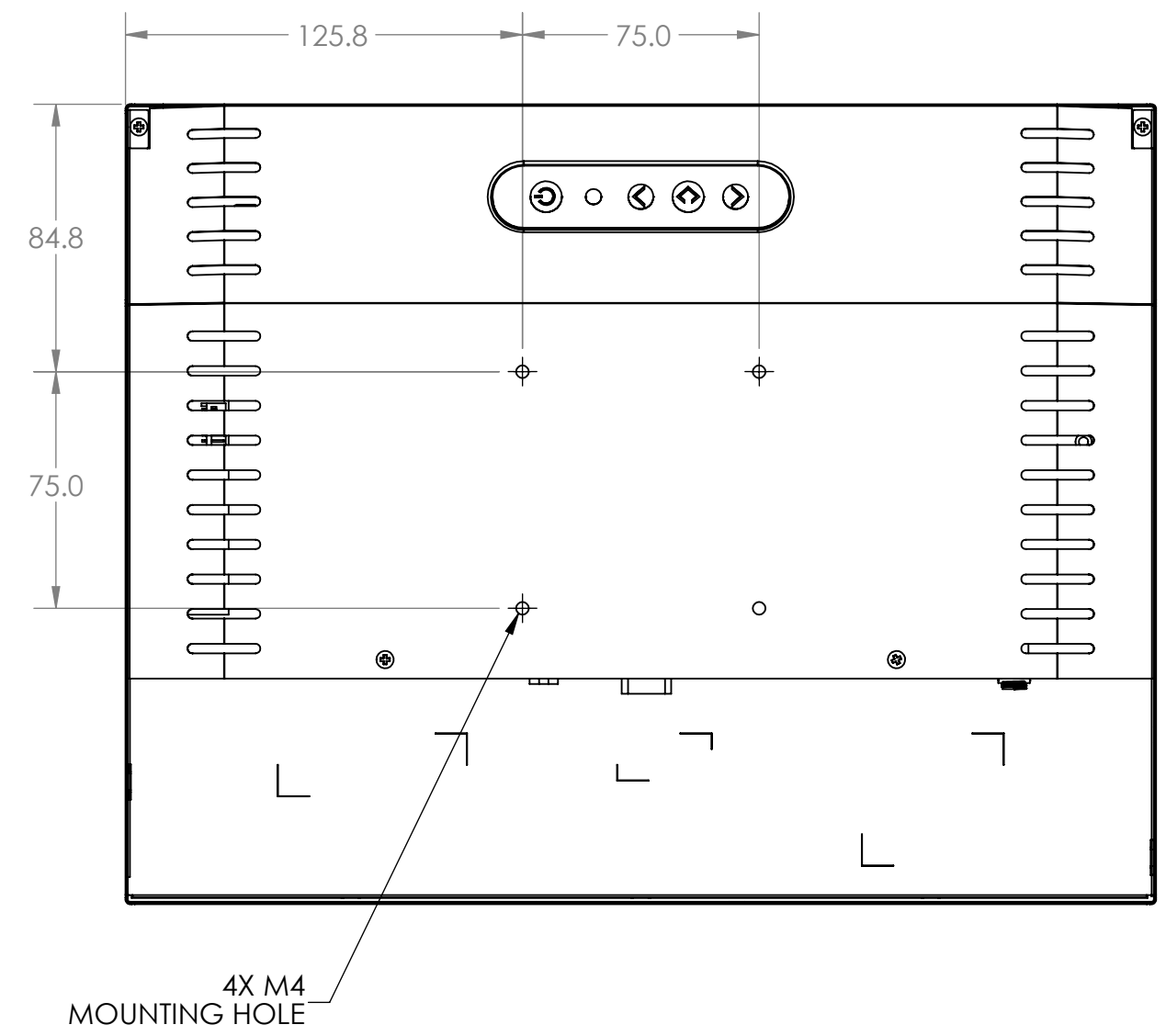
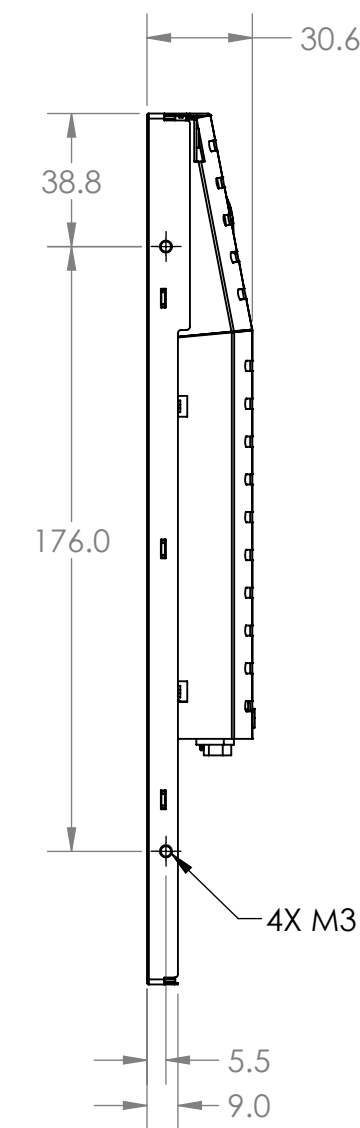
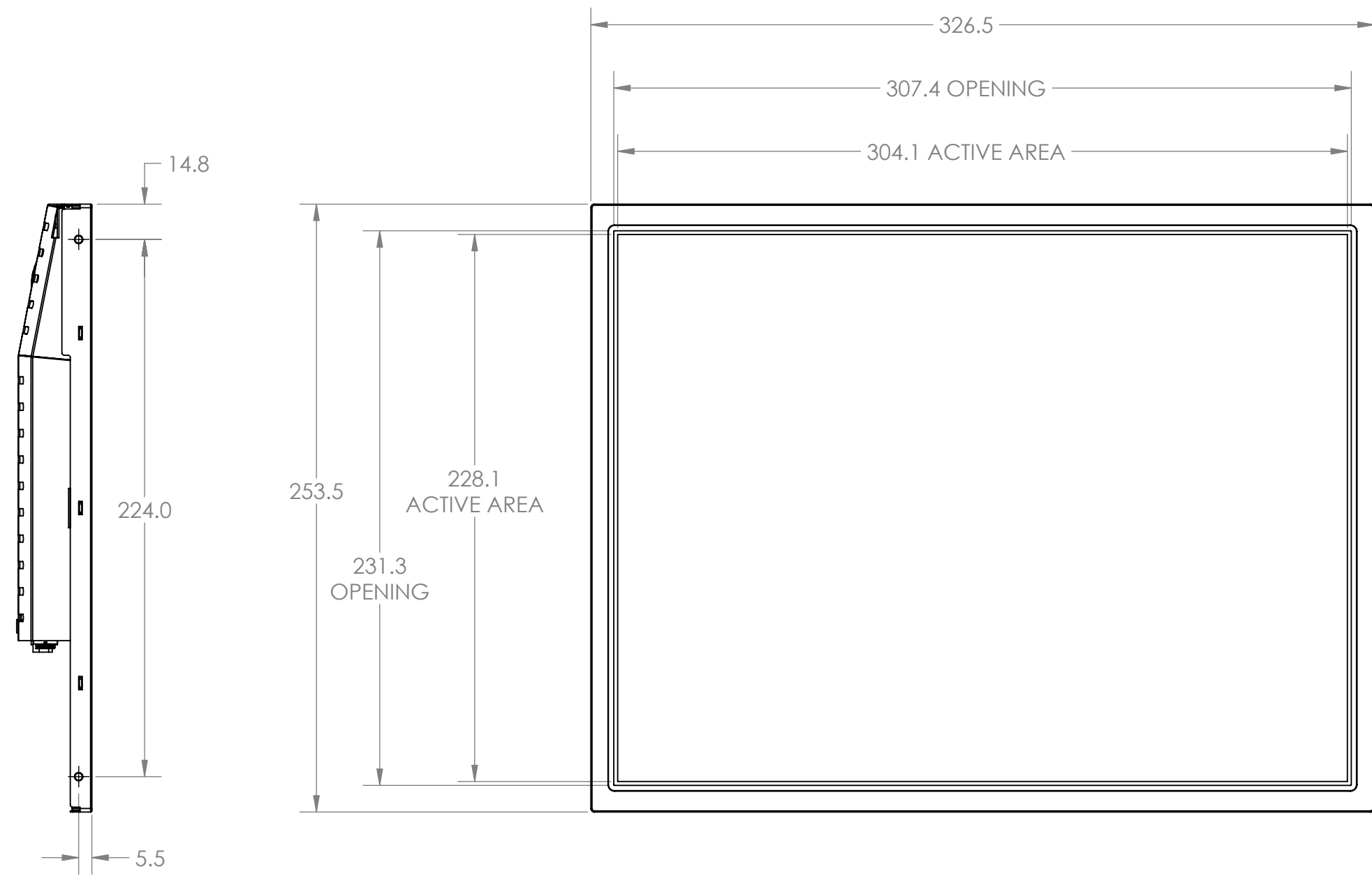
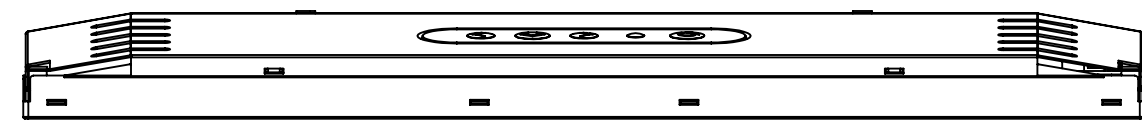
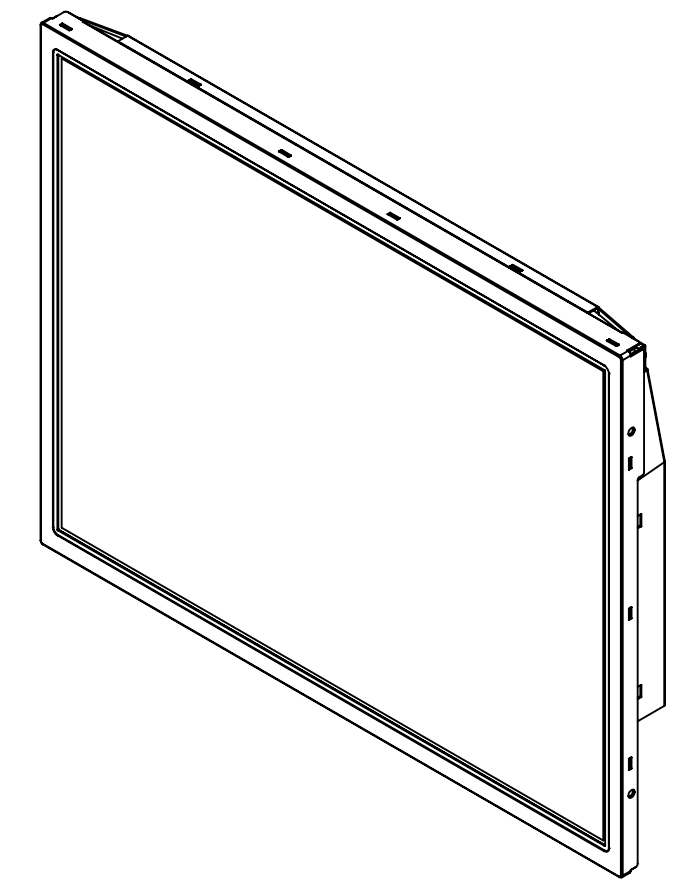


NOTES:  
1. THIS PART IS RoHS COMPLIANT.

REVISIONS					
ECO	ZONE	REV.	DESCRIPTION	DATE	APPROVED
		A	INITIAL DRAWING RELEASE	11-15-11	NAB



DETAIL A  
SCALE 2 : 3

THIS DRAWING CONTAINS INFORMATION PROPRIETARY TO PLANAR SYSTEMS, INC. ANY REPRODUCTION IN PART OR WHOLE WITHOUT THE WRITTEN PERMISSION OF PLANAR SYSTEMS IS PROHIBITED. THIS DRAWING IS SUPPLIED FOR INFORMATION, IDENTIFICATION, ENGINEERING EVALUATION, AND/OR INSPECTION PURPOSES ONLY AND MAY NOT BE USED AS BASIS FOR THE MANUFACTURING OF PRODUCTS OR THE FURNISHING OF SERVICES TO PLANAR SYSTEMS OR TO ANY THIRD PARTY UNLESS AUTHORIZED IN WRITING BY PLANAR SYSTEMS.

UNLESS OTHERWISE SPECIFIED DIMENSIONS ARE IN MILLIMETERS.		ENGR BY			PLANAR SYSTEMS, INC. 1195 NW COMPTON DRIVE BEAVERTON, OR 97006 USA
TOLERANCES - UNLESS OTHERWISE SPECIFIED		DRAWN BY	6-30-11		
X = ±1	.XX = ±.25	CHECKED BY		TITLE	
.X = ±.5	ANGLES = ±1°	USED ON		MECH O/L LC1503R	
DIMENSIONING AND TOLERANCING PER ASME Y14.5M-1994		MATERIAL	N/A	SIZE	PART NUMBER
THIRD ANGLE PROJECTION		FINISH	N/A	C	997-6329-00LF
				DRAWING NUMBER	REV
				076-0707-00	A
				SCALE	SHEET
				1:3	1 OF 1
				DO NOT SCALE	