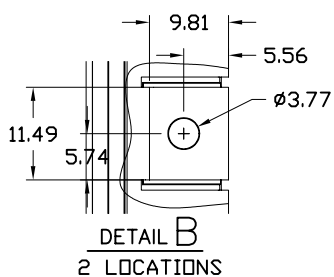
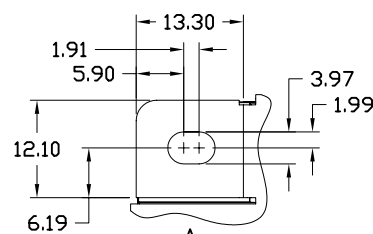
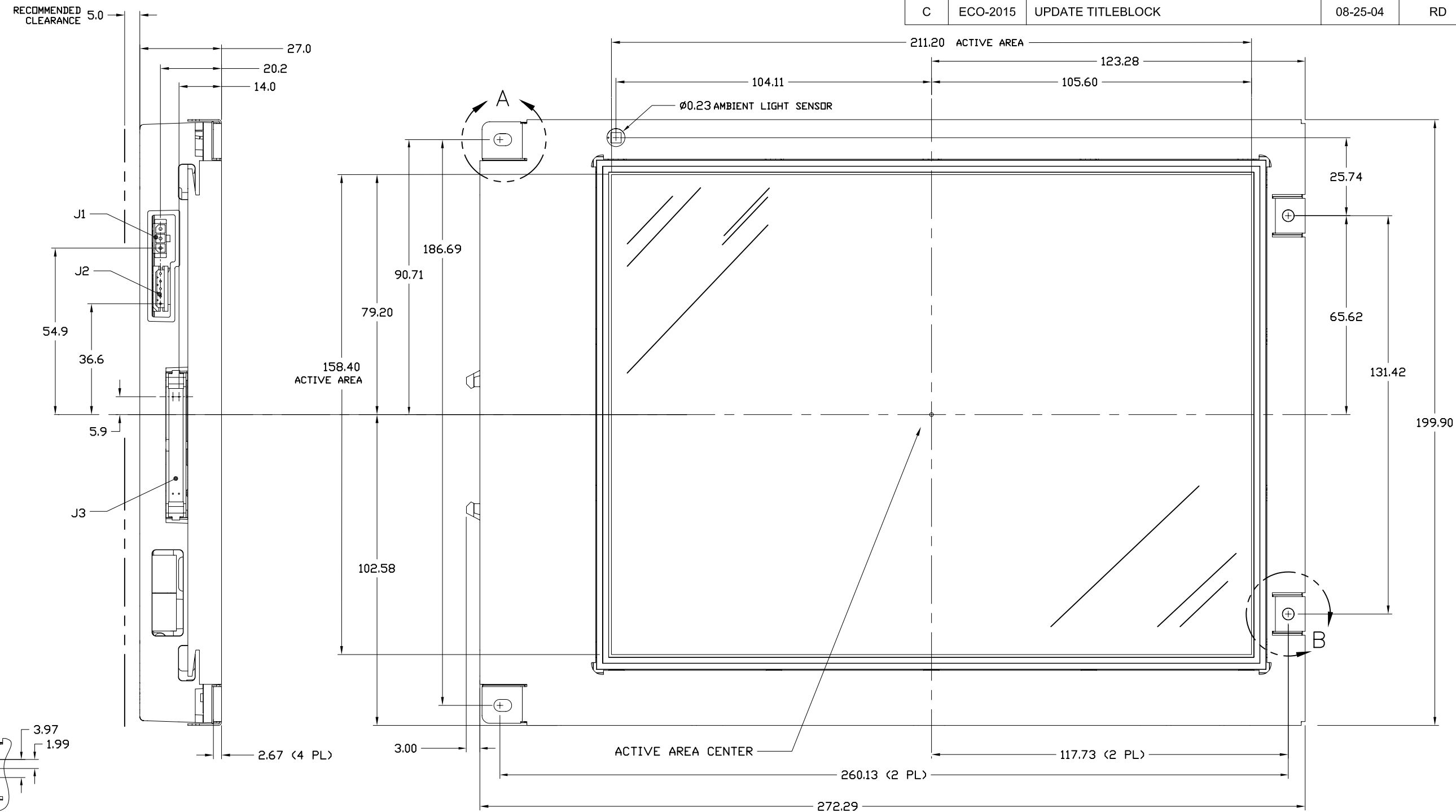


REVISIONS

REV	REF	DESCRIPTION	DATE	REV BY	CHK BY
B	121-99	DOCUMENTATION CLEANUP	11-22-99	SCOTT H.	
C	ECO-2015	UPDATE TITLEBLOCK	08-25-04	RD	



CONNECTOR IDENTIFICATION

- J1 +12V [VH] POWER FOR BACKLIGHT
- J2 BRIGHTNESS CONTROL AND BACKLIGHT DISABLE INPUTS
- J3 VIDED SIGNALS AND +5V [VL] POWER

NOTE: UNLESS OTHERWISE SPECIFIED

1. ALL DIMENSIONS ARE IN MILLIMETERS
2. VENTILATION AREA 8 LOCATIONS, KEEP CLEAR.

THIS DRAWING CONTAINS INFORMATION PROPRIETARY TO PLANAR SYSTEMS, INC. ANY REPRODUCTION IN PART OR WHOLE WITHOUT THE WRITTEN PERMISSION OF PLANAR SYSTEMS IS PROHIBITED. THIS DRAWING IS SUPPLIED FOR INFORMATION, IDENTIFICATION, ENGINEERING, EVALUATION, AND/OR INSPECTION PURPOSES ONLY AND MAY NOT BE USED AS BASIS FOR THE MANUFACTURING OF PRODUCTS OR THE FURNISHING OF SERVICES TO PLANAR SYSTEMS OR TO ANY THIRD PARTY UNLESS AUTHORIZED IN WRITING BY PLANAR SYSTEMS.

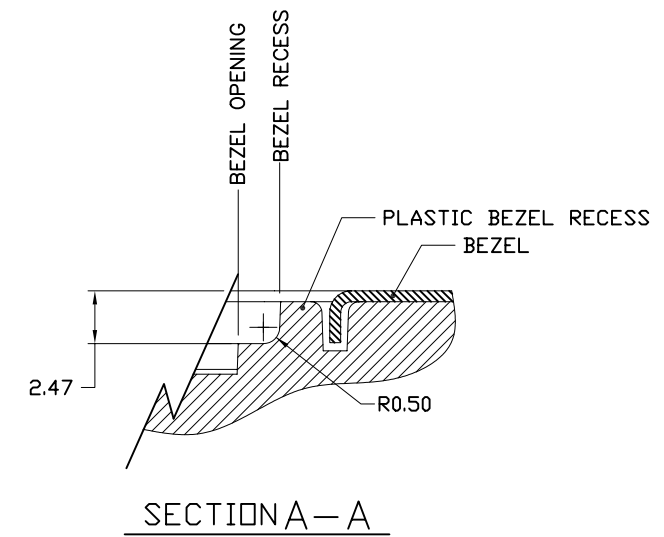
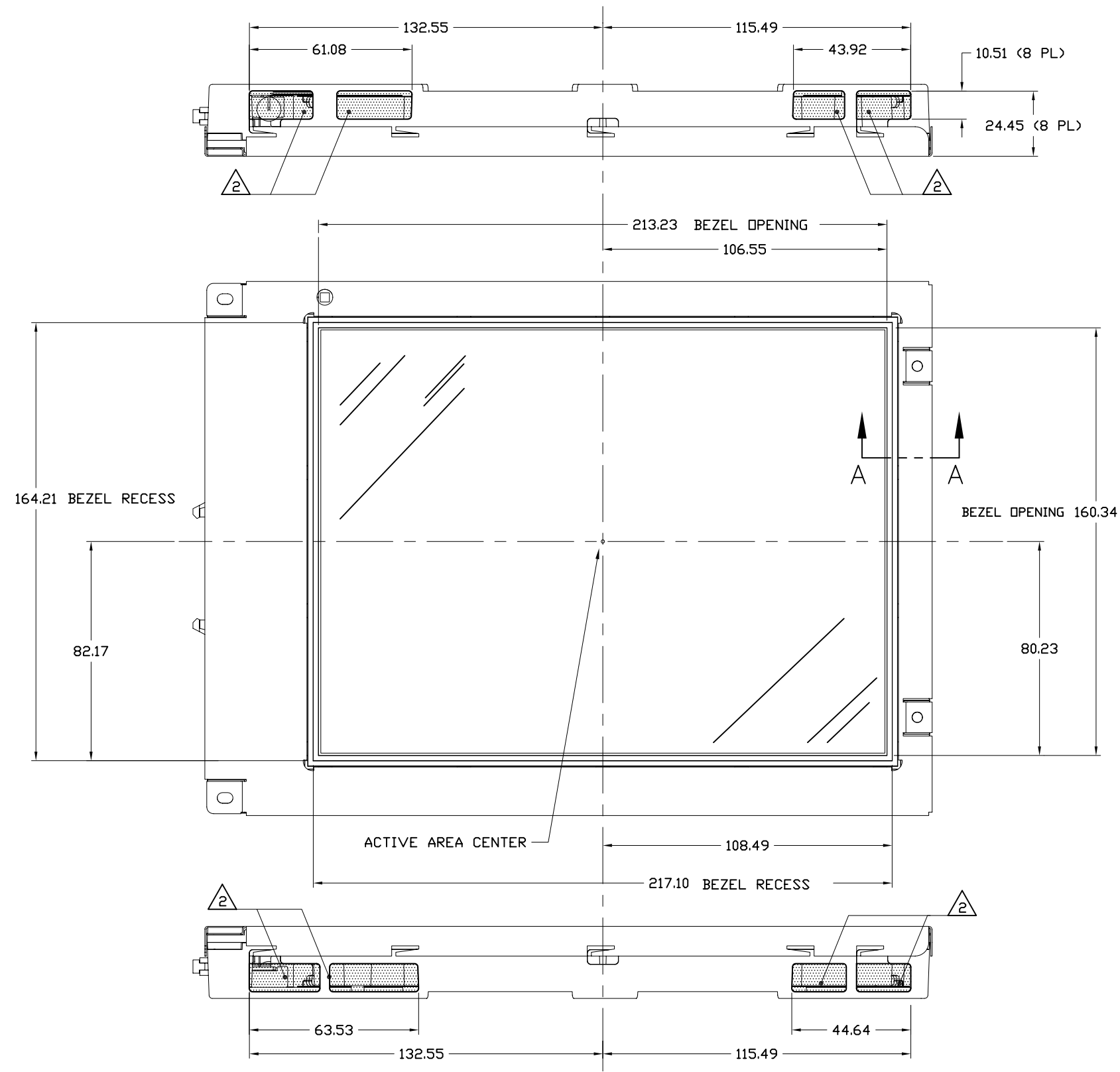
UNLESS OTHERWISE SPECIFIED DIMENSIONS ARE IN MILLIMETERS.		ENGR BY	DON CRAMER	08-17-99
TOLERANCES:		DRAWN BY	SCOTT H.	08-17-99
X = -	.XX = ±.3	CHECKED BY	B. SANDMEYER	08-17-99
.X = ±.5	ANGLES = -	USED ON	LC640.480.33-AC	
DIMENSIONING AND TOLERANCING PER ASME Y14.5M-1994		MATERIAL	FRONT BEZEL SURFACE 304 SS BACK CHASSIS SECTION HIGH HEAT POLYCARBONATE	
THIRD ANGLE PROJECTION		FINISH	N/A	



PLANAR SYSTEMS
1195 NW COMPTON DRIVE
BEAVERTON, OR 97006 USA

DWG, MECH O/L,-AC

SIZE	PART NO.	DRAWING NO.	REV
B	996-0403-00	076-0374-00	C
SCALE	NONE	DO NOT SCALE	SHEET 1 OF 2



THIS DRAWING CONTAINS INFORMATION PROPRIETARY TO PLANAR SYSTEMS, INC., ANY REPRODUCTION IN PART OR WHOLE WITHOUT THE WRITTEN PERMISSION OF PLANAR SYSTEMS IS PROHIBITED. THIS DRAWING IS SUPPLIED FOR INFORMATION, IDENTIFICATION, ENGINEERING, EVALUATION, AND/OR INSPECTION PURPOSES ONLY AND MAY NOT BE USED AS BASIS FOR THE MANUFACTURING OF PRODUCTS OR THE FURNISHING OF SERVICES TO PLANAR SYSTEMS OR TO ANY THIRD PARTY UNLESS AUTHORIZED IN WRITING BY PLANAR SYSTEMS.

SIZE	PART NO.	DRAWING NO.	REV
B	996-0403-00	076-0374-00	C
SCALE	NONE	DO NOT SCALE	SHEET
			2 OF 2